

THIS DRAWING IS UNPUBLISHED. RELEASED FOR PUBLICATION
 © COPYRIGHT - By - ALL RIGHTS RESERVED.

REVISIONS				
P	LTR	DESCRIPTION	DATE	APVD
D	ECO-19-013748		10SEP2019	RR SH

LED SCHEMATIC	
LED1	LED2
GREEN	YELLOW
9- +10	11- +12
FOR 1734577-X	

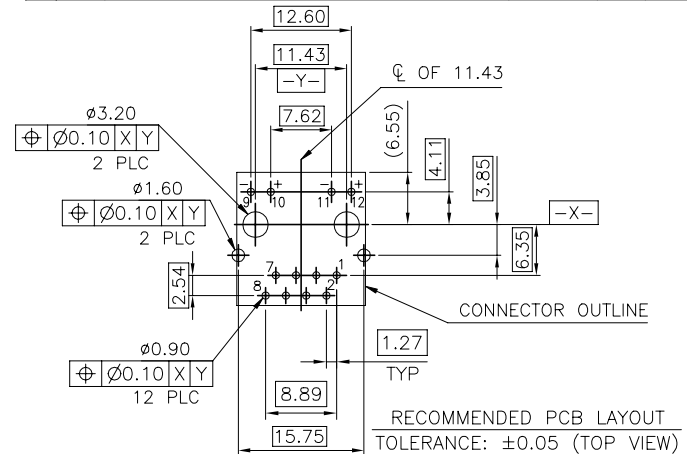
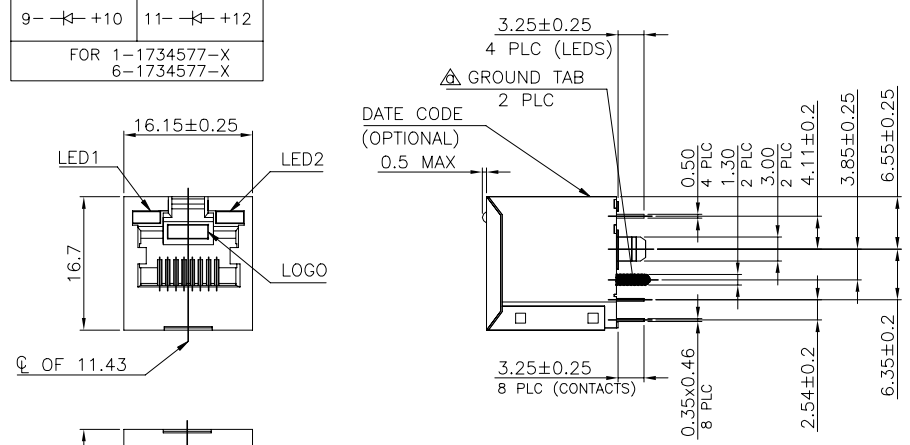
LED SCHEMATIC	
LED1	LED2
GREEN	GREEN
9- +10	11- +12
FOR 1-1734577-X 6-1734577-X	

LED SCHEMATIC	
LED1	LED2
RED	RED
GREEN	GREEN
9- +10	11- +12
FOR 2-1734577-X	

LED SCHEMATIC	
LED1	LED2
YELLOW	GREEN
ORANGE	
9- +10	11- +12
FOR 4-1734577-1	

LED SCHEMATIC	
LED1	LED2
RED	RED
YELLOW	GREEN
9- +10	11- +12
FOR 5-1734577-X	

MODULAR JACK WITH LED



PA9T	WITH	GREEN	GREEN	0.152µm [6µ"]	8-1734577-1	
OBSOLETE	WITH	RED/GREEN	RED/YELLOW	1.27µm [50µ"]	5-1734577-4	
		GREEN/ORANGE	YELLOW	0.762µm [30µ"]	4-1734577-1	
OBSOLETE	WITH	RED/GREEN	RED/GREEN	1.27µm [50µ"]	2-1734577-4	
				0.762µm [30µ"]	2-1734577-3	
				0.381µm [15µ"]	2-1734577-2	
		WITHOUT			0.152µm [6µ"]	2-1734577-1
					0.762µm [30µ"]	6-1734577-3
OBSOLETE	WITH	GREEN	GREEN	1.27µm [50µ"]	1-1734577-4	
				0.762µm [30µ"]	1-1734577-3	
				0.381µm [15µ"]	4-1734577-2	
		YELLOW	GREEN	0.152µm [6µ"]	1-1734577-1	
				1.27µm [50µ"]	1734577-4	
				0.762µm [30µ"]	1734577-3	
				0.381µm [15µ"]	1734577-2	
				0.152µm [6µ"]	1734577-1	

- NOTE:
- MATERIAL:
 - HOUSING: (SEE TABLE), WITH 30% GF, UL94 V-0, BLACK COLOR.
 - CONTACTS: PHOSPHOR BRONZE.
 - SHELL: BRASS.
 - LED SOLDER TAIL: STEEL.
 - FINISH:
 - CONTACTS: (SEE TABLE) GOLD PLATED ON CONTACT AREA, GOLD FLASH ON SOLDER TAIL AREA, 1.27µm [50µ"] MIN. NICKEL UNDERPLATING OVERALL. SHELL: 0.508µm [20µ"] MIN. NICKEL PLATED.
 - POST DIPPED WITH TIN ON PCB GROUND TABS.
 - LED SOLDER TAIL: 2.032µm [80µ"] MIN. BRIGHT-TIN PLATED.
 - LED MUST BE REFLOW COMPATIBLE TO FOLLOWING TEMPERATURE PROFILE (FOR 1 CYCLE): ABOVE 160°C FOR 120 SECONDS, PEAKING AT 245°C FOR 20~40 SECONDS.
 - LED DEFECT RATE IS 6000PPM MAX. AFTER IR REFLOW PROCESS AS NOTE 3.
 - WAVE SOLDER CAPABLE TO 265°C PER TE SPEC 109-202, CONDITION B.
 - OBSOLETE PARTS: OBSOLETE CIS STREAMLINING PER D.RENAUD/D.SINISI

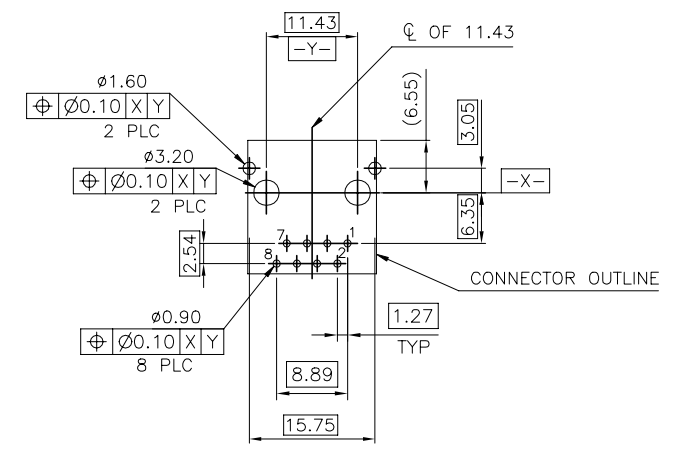
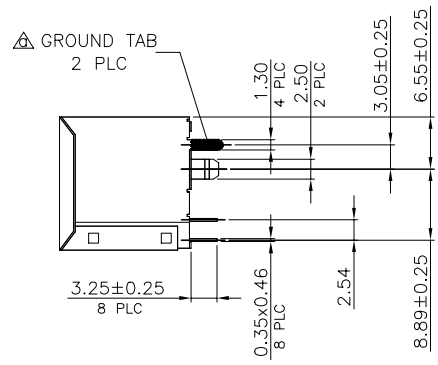
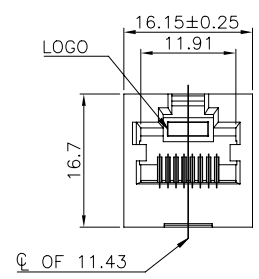
RECOMMENDED SUGGESTED PANEL CUTOUT

DIMENSIONS: mm		TOLERANCES UNLESS OTHERWISE SPECIFIED:	
	0 PLC ±	1 PLC ±0.3	2 PLC ±0.2
	3 PLC ±0.15	4 PLC ±	ANGLES ±3°
MATERIAL	SEE NOTE	FINISH	SEE NOTE

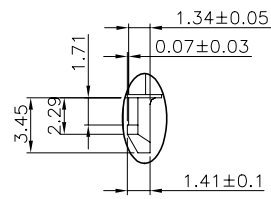
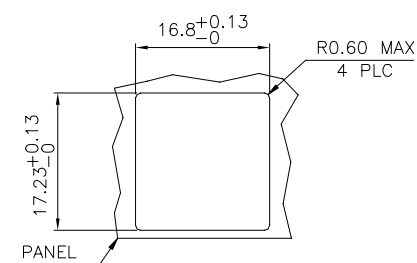
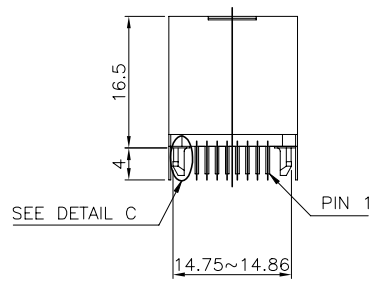
THIS DRAWING IS A CONTROLLED DOCUMENT.		DWN	21JUL2009	TE Connectivity	
		CHK	21JUL2009		
		APVD	21JUL2009		
		NAME	W. KODAMA		
		PRODUCT SPEC	108-57527		
		APPLICATION SPEC			
		WEIGHT	6.55 GRAMS	SIZE	A3
		CUSTOMER DRAWING	00779	DRAWING NO	C=1734577
		SCALE	1:1	SHEET	1 OF 6
		REV	D1		

REVISIONS					
P	LTR	DESCRIPTION	DATE	DWN	APVD
-	-	SEE SHEET 1	-	-	-

MODULAR JACK WITHOUT LED



RECOMMENDED PCB LAYOUT
 TOLERANCE: ±0.05 (TOP VIEW)



NOTE:

- MATERIAL:
 HOUSING: PA46, WITH 30% GF, UL94 V-0, BLACK COLOR.
 CONTACTS: PHOSPHOR BRONZE.
 SHELL: BRASS.
- FINISH:
 CONTACTS: (SEE TABLE) GOLD PLATED ON CONTACT AREA,
 GOLD FLASH ON SOLDER TAIL,
 WITH ENTIRE CONTACT UNDERPLATED
 1.27µm [50µ"] MIN. NICKEL.
 SHELL: 0.508µm [20µ"] MIN. NICKEL PLATED.
 POST DIPPED WITH TIN ON PCB GROUND TABS.
- WAVE SOLDER CAPABLE TO 265°C PER TE SPEC 109-202, CONDITION B.
- OBSOLETE PARTS: OBSOLETE CIS STREAMLINING PER D.RENAUD/D.SINISI

1.27µm [50µ"]	3-1734577-5
1.27µm [50µ"]	3-1734577-4
0.762µm [30µ"]	3-1734577-3
0.381µm [15µ"]	3-1734577-2
0.152µm [6µ"]	3-1734577-1
MIN. GOLD THICKNESS	PART NUMBER

DIMENSIONS:		TOLERANCES UNLESS OTHERWISE SPECIFIED:		THIS DRAWING IS A CONTROLLED DOCUMENT.		DWN		21JUL2009	
mm		0 PLC	±	E. HSING		CHK		21JUL2009	
		1 PLC	±0.3	S. CHIEN		APVD		21JUL2009	
		2 PLC	±0.2	W. KODAMA		NAME		-	
		3 PLC	±0.15	PRODUCT SPEC		108-57527		APPLICATION SPEC	
		4 PLC	±	SIZE		A3		CAGE CODE	
		ANGLES	±3'	WEIGHT		6.7 GRAMS		DRAWING NO	
MATERIAL		FINISH		CUSTOMER DRAWING		SCALE		1:1	
SEE NOTE		SEE NOTE		SCALE		SHEET		2 OF 6	
				REV		D1			



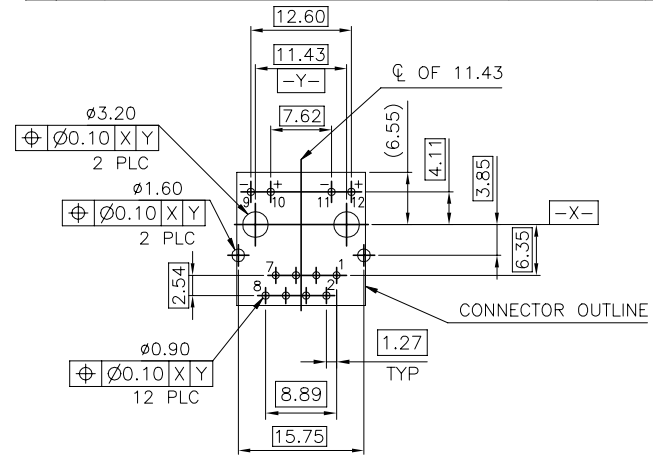
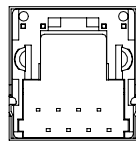
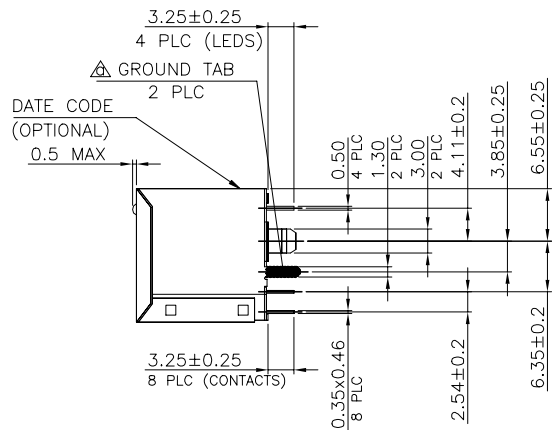
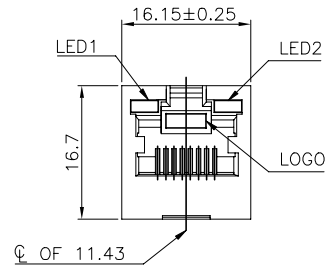
MODULAR JACK CONNECTOR
 RJ45, 8P8C, VERTICAL, DIP TYPE.

THIS DRAWING IS UNPUBLISHED. RELEASED FOR PUBLICATION
 © COPYRIGHT - By - ALL RIGHTS RESERVED.

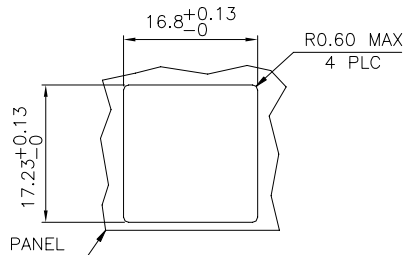
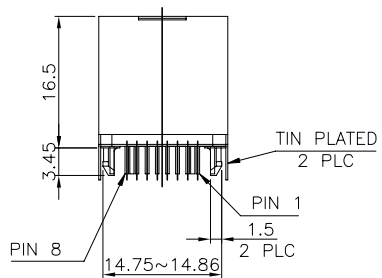
REVISIONS					
P	LTR	DESCRIPTION	DATE	DWN	APVD
-	-	SEE SHEET 1	-	-	-

LED SCHEMATIC	
LED1	LED2
GREEN	YELLOW
9- ← +10	11- ← +12

MODULAR JACK WITH LED



RECOMMENDED PCB LAYOUT
 TOLERANCE: ±0.05 (TOP VIEW)



NOTE:

- MATERIAL:
 - 1.1 HOUSING: PA46, WITH 30% GF, UL94 V-0, BLACK COLOR.
 - 1.2 CONTACTS: PHOSPHOR BRONZE.
 - 1.3 SHELL: BRASS.
 - 1.4 LED SOLDER TAIL: STEEL.
- FINISH:
 - 2.1 CONTACTS: (SEE TABLE) GOLD PLATED ON CONTACT AREA, GOLD FLASH ON SOLDER TAIL AREA, 1.27µm [50u"] MIN. NICKEL UNDERPLATING OVERALL.
 - SHELL: 0.508µm [20µ"] MIN. NICKEL PLATED.
 - a POST DIPPED WITH TIN ON PCB GROUND TABS.
 - LED SOLDER TAIL: 2.032µm [80µ"] MIN. BRIGHT-TIN PLATED.
- LED MUST BE REFLOW COMPATIBLE TO FOLLOWING TEMPERATURE PROFILE (FOR 1 CYCLE): ABOVE 160°C FOR 120 SECONDS, PEAKING AT 245°C FOR 20~40 SECONDS.
- LED DEFECT RATE IS 6000PPM MAX. AFTER IR REFLOW PROCESS AS NOTE 3.
- WAVE SOLDER CAPABLE TO 265°C PER TE SPEC 109-202, CONDITION B.
- OBSOLETE PARTS: OBSOLETE CIS STREAMLINING PER D.RENAUD/D.SINISI

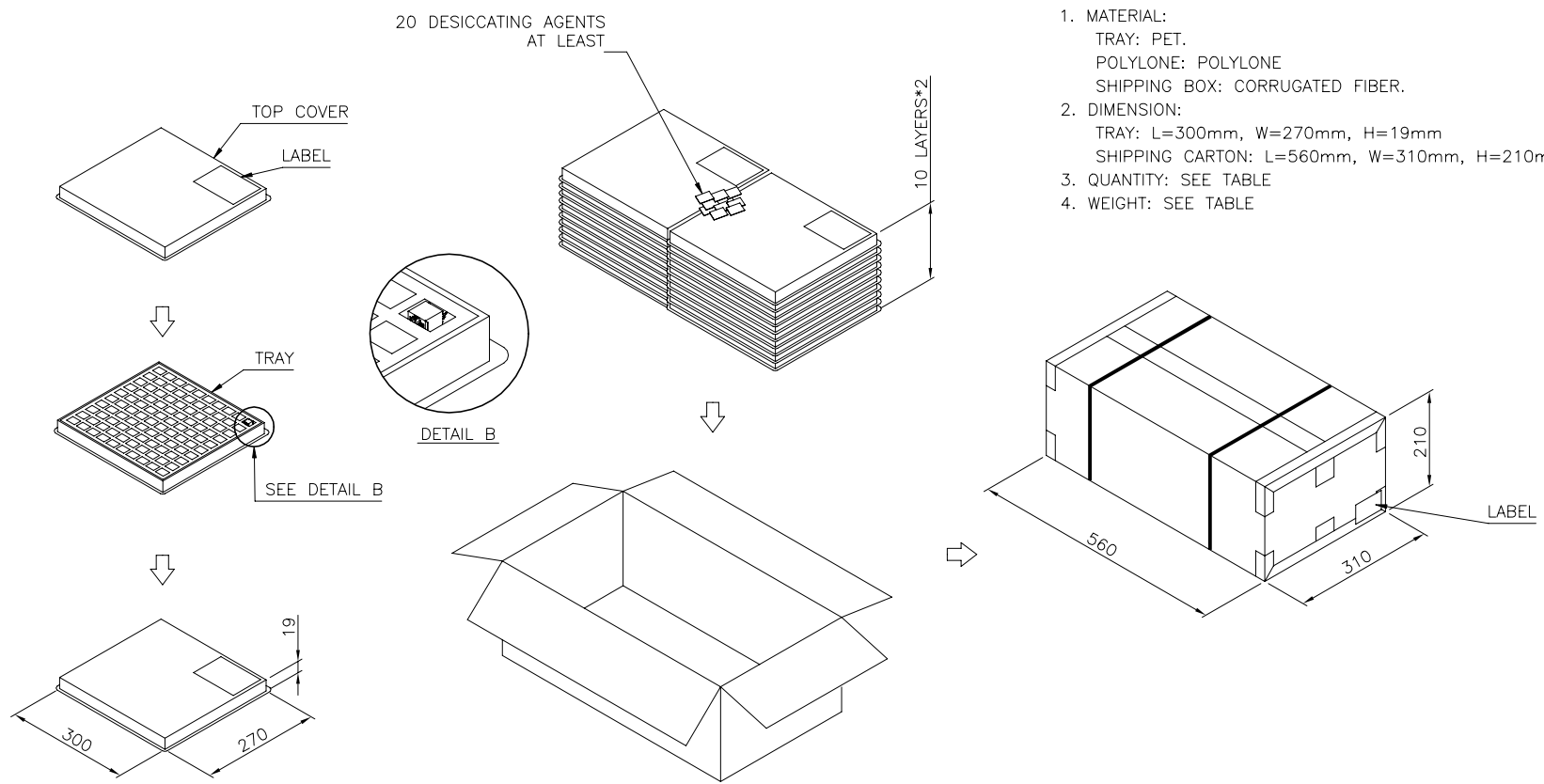
YELLOW	GREEN	0.762µm [30µ"]	7-1734577-3
LED2	LED1	MIN. GOLD THICKNESS	PART NUMBER
INDICATOR COLOR			

THIS DRAWING IS A CONTROLLED DOCUMENT.		DWN	21JUL2009	TE Connectivity MODULAR JACK CONNECTOR RJ45, 8P8C, VERTICAL, DIP TYPE.	
DIMENSIONS:		CHK	21JUL2009		
TOLERANCES UNLESS OTHERWISE SPECIFIED:		APVD	21JUL2009		
mm		NAME			
0 PLC ± - 1 PLC ± 0.3 2 PLC ± 0.2 3 PLC ± 0.15 4 PLC ± - ANGLES ± 3°		W. KODAMA PRODUCT SPEC APPLICATION SPEC		SIZE CAGE CODE DRAWING NO RESTRICTED TO A3 00779 C=1734577 -	
MATERIAL		FINISH		WEIGHT	
SEE NOTE		SEE NOTE		-	
CUSTOMER DRAWING				SCALE	1:1
				SHEET	3 of 6
				REV	D1

THIS DRAWING IS UNPUBLISHED. RELEASED FOR PUBLICATION
 © COPYRIGHT - By - ALL RIGHTS RESERVED.

REVISIONS					
P	LTR	DESCRIPTION	DATE	DWN	APVD
-	-	SEE SHEET 1	-	-	-

- NOTES:
- MATERIAL:
 TRAY: PET.
 POLYLONE: POLYLONE
 SHIPPING BOX: CORRUGATED FIBER.
 - DIMENSION:
 TRAY: L=300mm, W=270mm, H=19mm
 SHIPPING CARTON: L=560mm, W=310mm, H=210mm
 - QUANTITY: SEE TABLE
 - WEIGHT: SEE TABLE



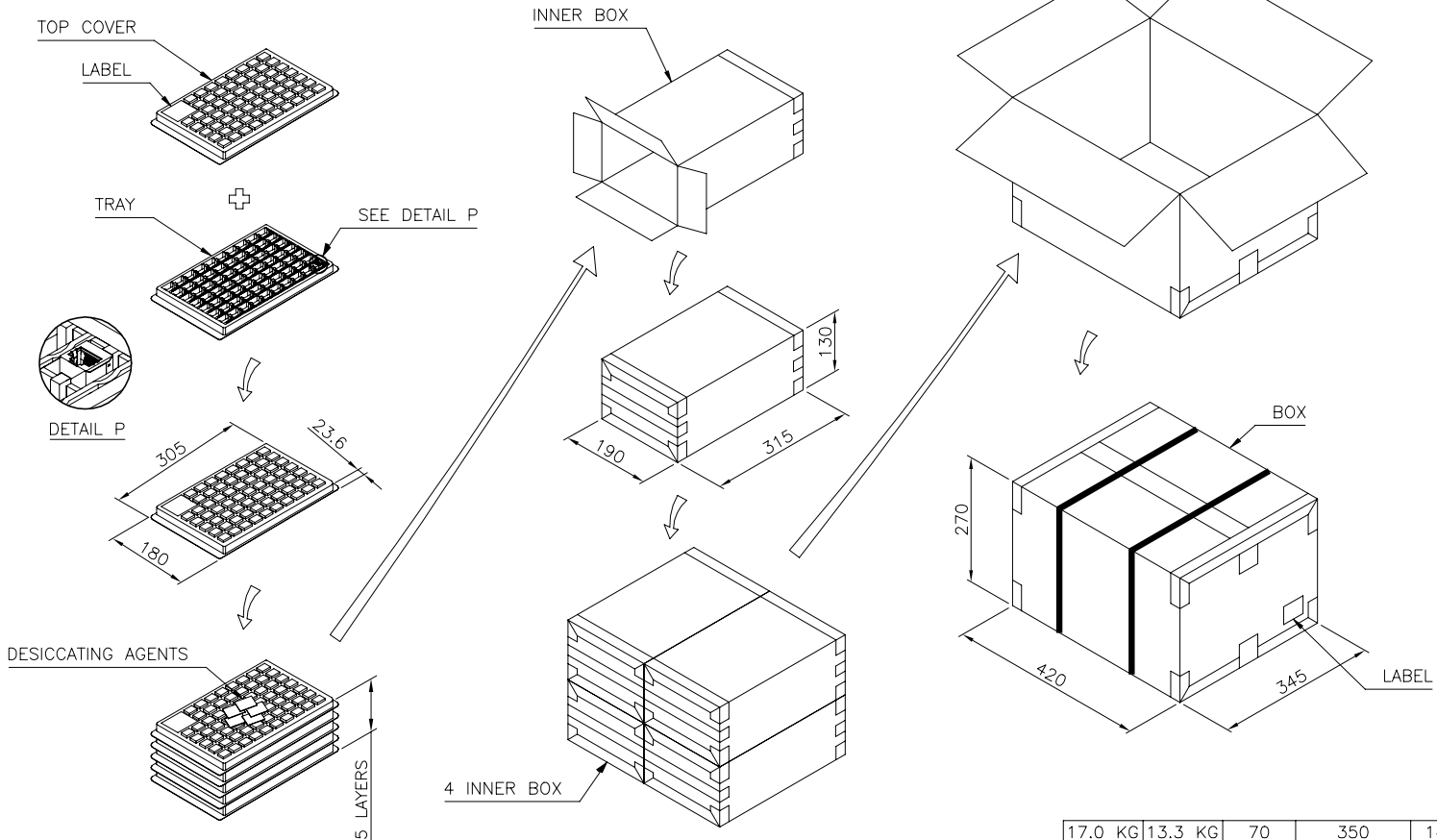
15 KG	13.3 KG	100	20	2000
GROSS WEIGHT	NET WEIGHT	PCS/TRAY	TRAY/BOX	PCS/BOX

THIS DRAWING IS A CONTROLLED DOCUMENT.		DWN B. HSING 21JUL2009	TE Connectivity	
		CHK S. CHIEN 21JUL2009		
		APVD W. KODAMA 21JUL2009		
DIMENSIONS: mm 		NAME		MODULAR JACK CONNECTOR RJ45, 8P8C, VERTICAL, DIP TYPE.
TOLERANCES UNLESS OTHERWISE SPECIFIED: 0 PLC ± - 1 PLC ± 0.3 2 PLC ± 0.2 3 PLC ± 0.15 4 PLC ± - ± 3° ANGLES		PRODUCT SPEC		
MATERIAL		APPLICATION SPEC		RESTRICTED TO
SEE NOTE		FINISH		SEE NOTE
		WEIGHT		SIZE
		CUSTOMER DRAWING		A3 00779 C=1734577
		SCALE		DRAWING NO
		1:1		1734577
		SHEET		4 of 6
		REV		D1

THIS DRAWING IS UNPUBLISHED. RELEASED FOR PUBLICATION
 © COPYRIGHT - By - ALL RIGHTS RESERVED.

REVISIONS					
P	LTR	DESCRIPTION	DATE	DWN	APVD
-	-	SEE SHEET 1	-	-	-

PACKAGE ONLY FOR 6-1734577-3



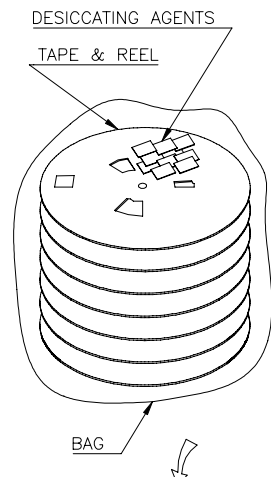
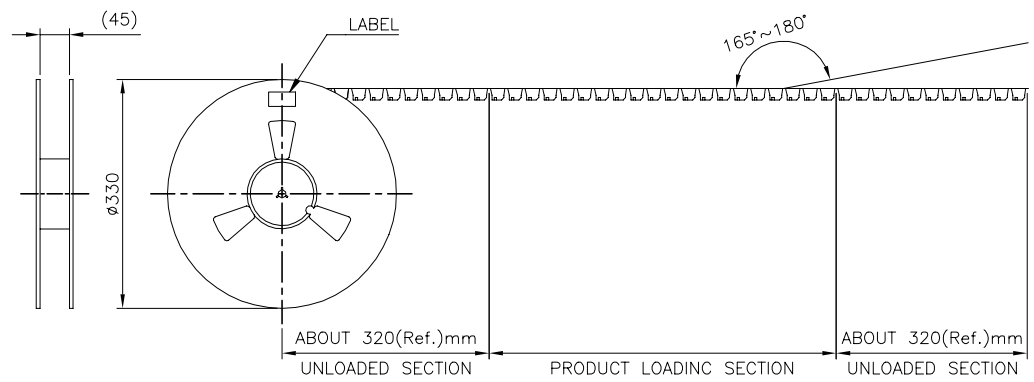
- NOTES:
- MATERIAL:
 TRAY: PET.
 POLYLONE: POLYLONE
 BOX: CORRUGATED FIBER.
 - DIMENSION:
 TRAY: L=308mm, W=180mm, H=23.6mm
 INNER BOX: L=315mm, W=190mm, H=130mm
 BOX: L=420mm, W=345mm, H=275mm
 - QUANTITY: SEE TABLE
 - WEIGHT: SEE TABLE

17.0 KG	13.3 KG	70	350	1400	6-1734577-3
GROSS WEIGHT	NET WEIGHT	PCS/TRAY	TRAY/INNER BOX	PCS/BOX	PART NUMBER

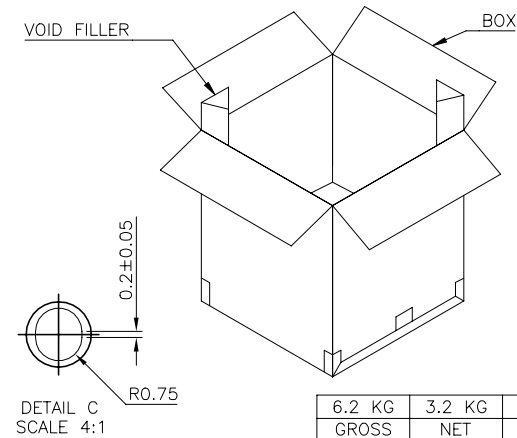
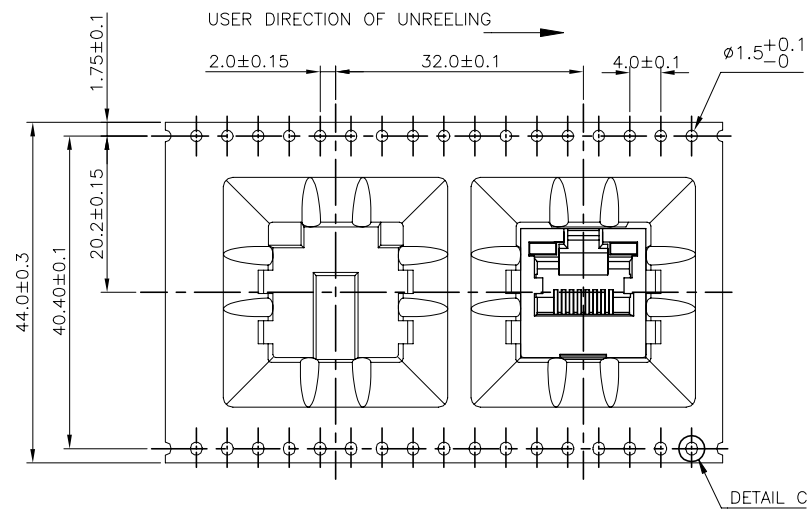
THIS DRAWING IS A CONTROLLED DOCUMENT.		DWN E. HSING 21JUL2009	TE Connectivity NAME MODULAR JACK CONNECTOR RJ45, 8P8C, VERTICAL, DIP TYPE.		
DIMENSIONS: mm		CHK S. CHIEN 21JUL2009			
TOLERANCES UNLESS OTHERWISE SPECIFIED: 0 PLC ± - 1 PLC ± 0.3 2 PLC ± 0.2 3 PLC ± 0.15 4 PLC ± - ANGLES ± 3°		APVD W. KODAMA 21JUL2009			
MATERIAL SEE NOTE		FINISH SEE NOTE			
		APPLICATION SPEC -	SIZE A3	CAGE CODE 00779	DRAWING NO C=1734577
CUSTOMER DRAWING		WEIGHT -	RESTRICTED TO -	SCALE 1:1	SHEET 5 of 6
		REV D1			

THIS DRAWING IS UNPUBLISHED. RELEASED FOR PUBLICATION
 © COPYRIGHT - By - ALL RIGHTS RESERVED.

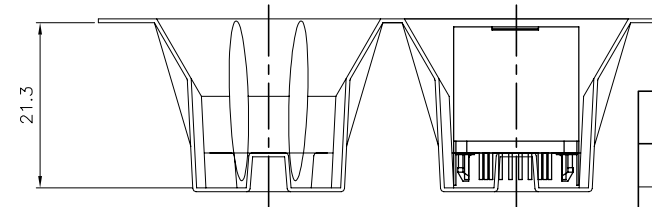
REVISIONS					
P	LTR	DESCRIPTION	DATE	DWN	APVD
-	-	SEE SHEET 1	-	-	-



- NOTE:
- PACKAGING MATERIAL:
 - COVER TAPE: COMPOSITE OF POLYETHYLENE TEREPHTHALATE (PET)
 - CARRIER: POLYSTYRENE (PS)
 - CARRIER REEL: POLYSTYRENE
 - BAG: PET
 - BOX: CORRUGATED FIBER.
 - EACH BAG SHALL BE INCLUDED: *DESICCANT
 - PEELING STRENGTH: 0.1~1.3N(1~130 GRAMS) FOR 12~56mm WIDE CARRIER TAPES
 - PEELING SPEED: 300mm/MINUTES.



6.2 KG	3.2 KG	80	6	480	8-1734577-1
GROSS WEIGHT	NET WEIGHT	PCS/ REEL	REEL/ BOX	PCS/ BOX	PART NUMBER



THIS DRAWING IS A CONTROLLED DOCUMENT.

DIMENSIONS: mm	TOLERANCES UNLESS OTHERWISE SPECIFIED:	DWN E. HSING 21JUL2009	STE TE Connectivity		
0 PLC ± -	1 PLC ± 0.3	CHK S. CHIEN 21JUL2009			
2 PLC ± 0.2	3 PLC ± 0.15	APVD W. KODAMA 21JUL2009	NAME		
4 PLC ± -	ANGLES ± 3'	PRODUCT SPEC 108-57527	MODULAR JACK CONNECTOR RJ45, 8P8C, VERTICAL, DIP TYPE.		
MATERIAL SEE NOTE	FINISH SEE NOTE	APPLICATION SPEC	SIZE A3	CAGE CODE 00779	DRAWING NO C=1734577
		WEIGHT 0.000000	RESTRICTED TO		
		CUSTOMER DRAWING	SCALE 1:1	SHEET 6 OF 6	REV D1