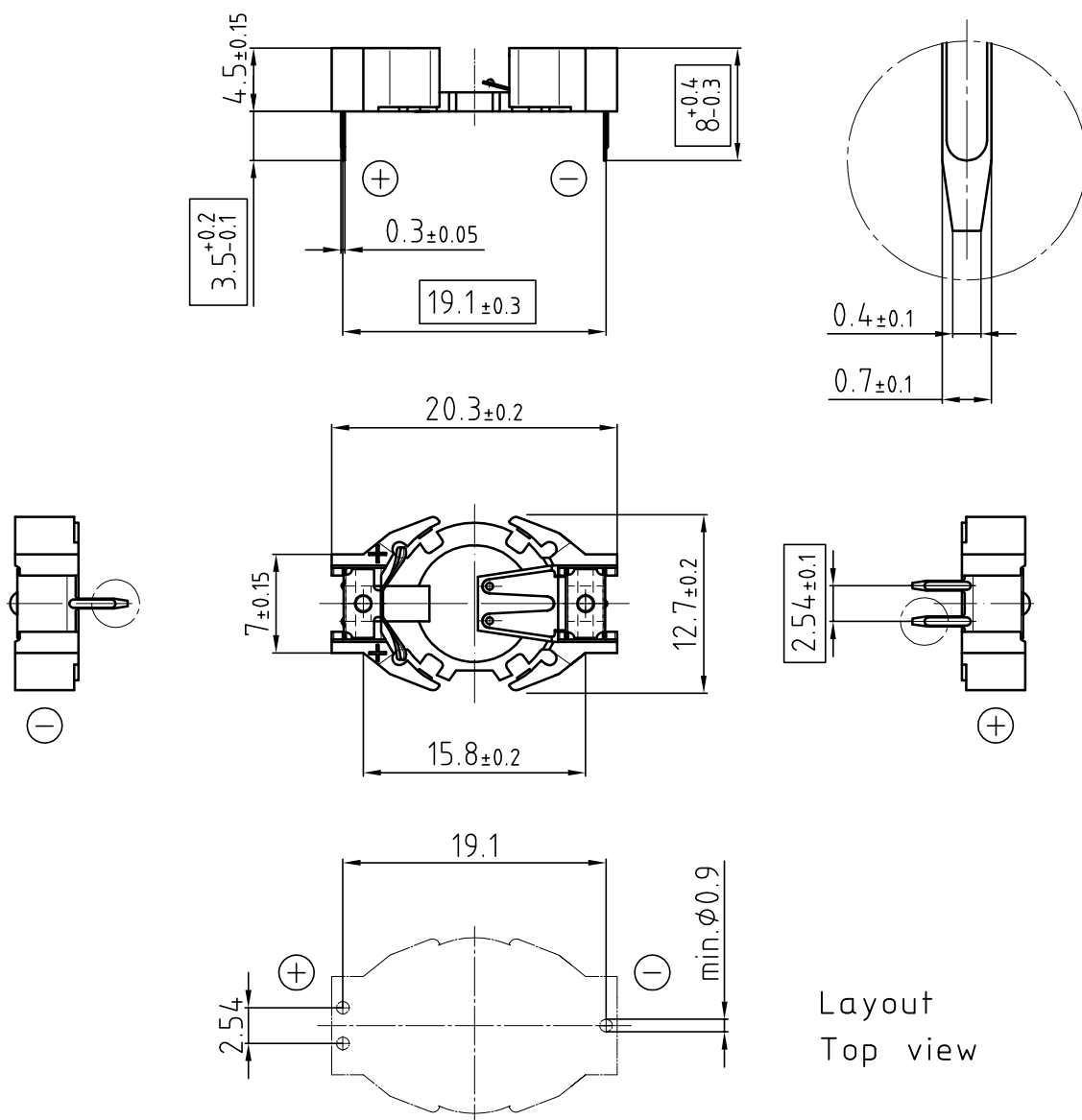


Art.-Number: 701105

Samples can deviate in the execution from the serie.



Dimensions and tolerances can be specified only after the testing of the devices for the mass production definitely

Layout  
Top view

Holder material : heat resistant, glass-fiber reinforced LCP

Battery contacts : spring stainless steel 301 nickel plated throughout

Solder contacts : spring stainless steel 301 solder area tin-plated throughout, min. thickness  $5 \mu\text{m}$

All framed values will be used for dimension checking !

Rev.	①	08.09.10	Wu Ping	Rev.	○				Customer's Approval		
Rev.	②	17.09.10	Wu Ping	Rev.	○				Date		
Rev.	○			Rev.	○				Signature		
Titel:								Scale 2:1	Drawn	17.01.05	SRI
HU1225-LF									Checked	23.09.10	SRI
									Approved		
				CH-4452 Itingen Switzerland				3.8747.4-2			